

Measure all with  
**THE MASTER DATA ANALYZER**  
BeeVision 183

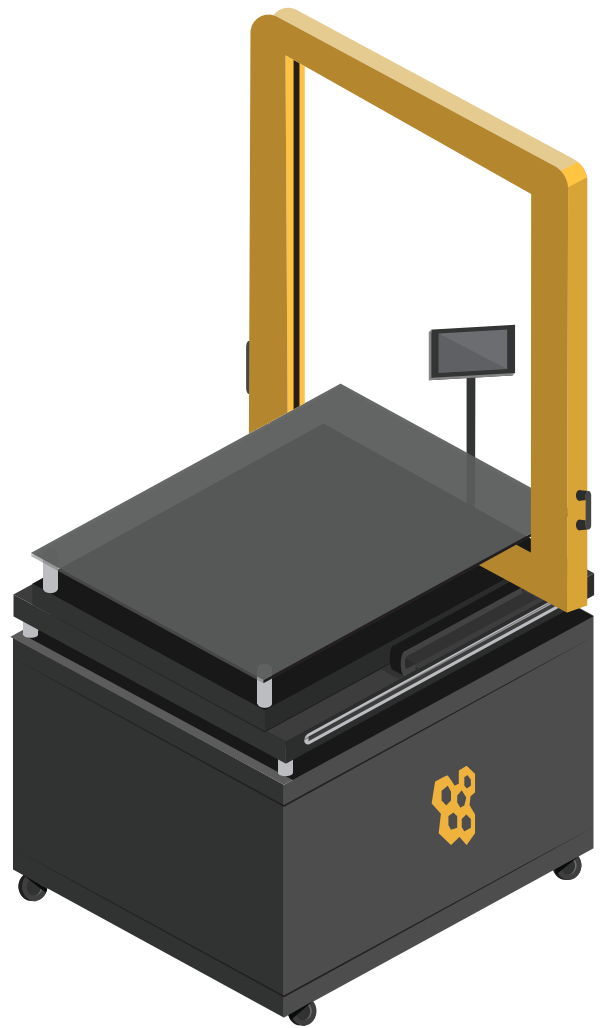


## Measure large parcels and small products within one device!

BeeVision 183 captures dimensions, weight, barcode and image of small & large items. Collect master data of all kinds of items independent of their shape, surface.

## About BeeVision 183

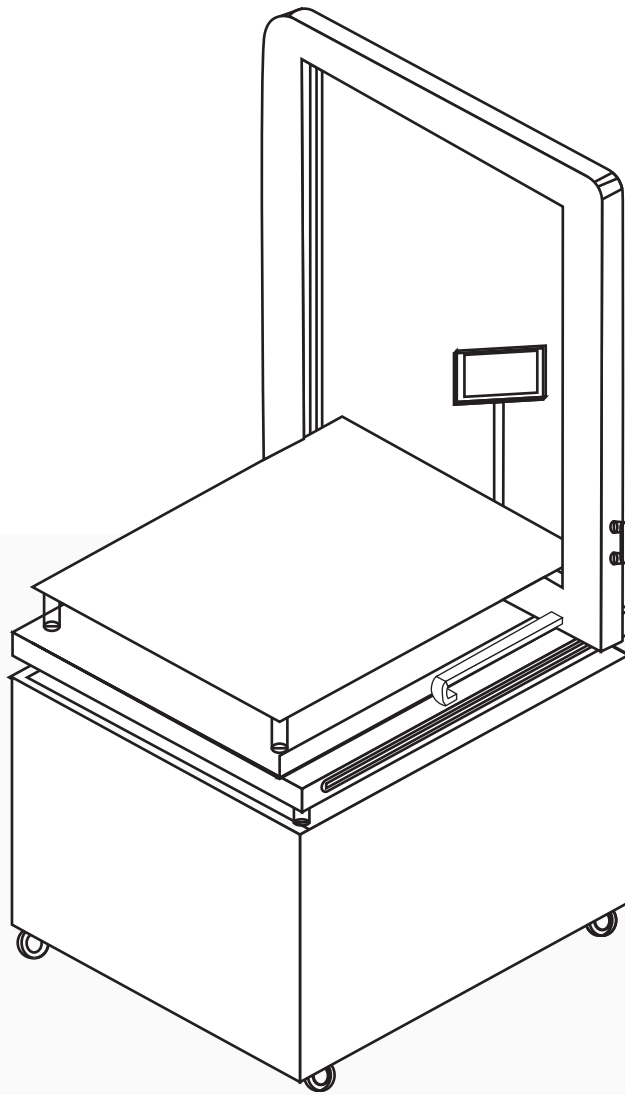
- A plug&measure dimensioning and weighing system
- Can measure any kind and any shape of object
- No external PC or SW required!
- Optional mobile platform on wheels
- Internal storage of measurement results and images
- Hassle-free integration with powerful API
- Zero-Integration with Microsoft Dynamics 365, ShipStation, ShipHero thanks to BeeHive cloud system



## Features

- All-in-one solution: dimensioner + scale + monitor + platform + handheld barcode scanner + high quality camera
- Measure regular and irregular objects in any orientation and position
- Advanced software available on integrated touch-screen monitor
- Optional battery for 8-hour untethered operation

Increase your profit with BeeVision 183



BeeVision 183

Technology	AI-Powered 3D Image Processing
Measurable Objects	Cubic or Irregular Shaped Objects
Accuracy	$\pm 0.5$ cm ( $\pm 0.2$ in)
Integration Interface	Web Service or Excel-readable (CSV, XML) File Output over Ethernet or Wi-Fi, RS232
Ports	Ethernet, USB, RS232
Product Output	Width, Length, Height, Weight, Dimensional Weight, Real Volume
Operating Voltage	100-240 V
Average Current	4 A
Operating Temperature	5°C – 40°C
Material	Aluminum and iron
Measurement Area (Platform) Dimensions	80cm x 80cm (32in x 32in)
Minimum Object Dimensions	1cm x 1cm x 1cm (2in x 2in x 2in)
Maximum Object Dimensions	80cm x 80cm x 80cm (32in x 32in x 32in)
Throughput	1000 objects per hour (limited by the operator speed not measurement speed)
Product Dimensions	110cm x 100cm x 130cm (28in x 39in x 95in)
Screen	12" Industrial Touch Screen
Barcode Scanning	Handheld 1D&2D Barcode Scanner
Scale	60 kg capacity, 20 gr accuracy
Total Package Weight	100 kg (including optional cart)
Total Package Dimensions	135cm x 125cm x 85cm (53in x 49in x 33in) and Cart: 110cm x 120cm x 65cm (43in x 47in x 26)



Dimension  
Measurement



Low  
Cost



3D  
Camera



Barcode  
Reader




Photo  
Shoot



Scale  
Integration

**BeeVision**

 +90 534 401 8589

 info@beevision.ai

[www.beevision.ai](http://www.beevision.ai)